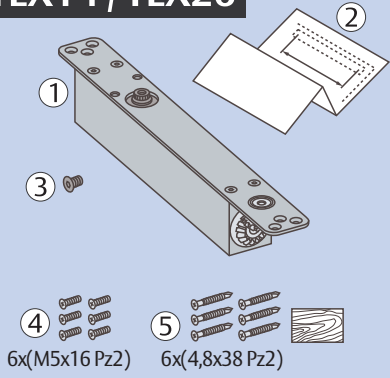
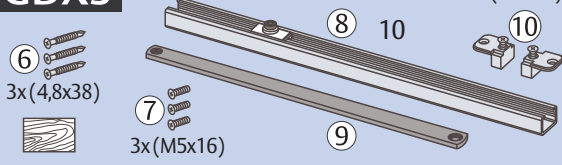


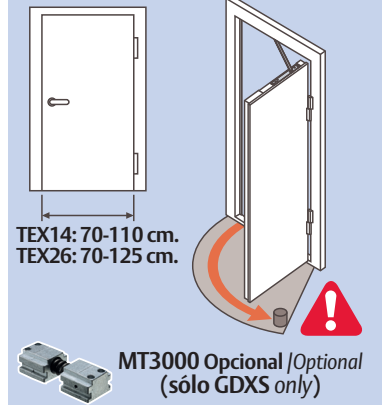
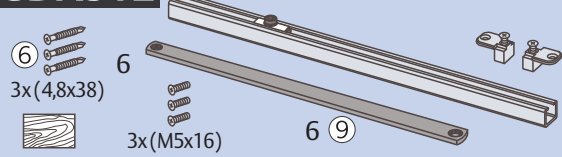
TEX14 / TEX26



GDXS

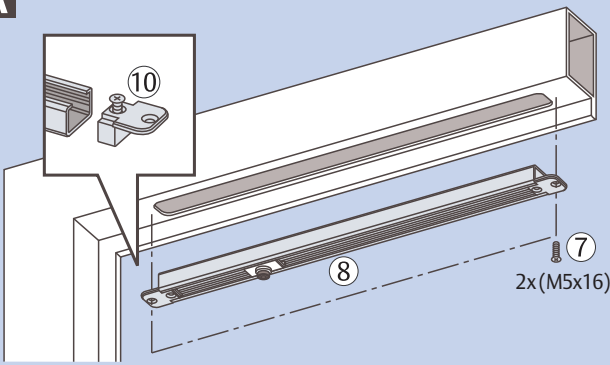


GDXS12

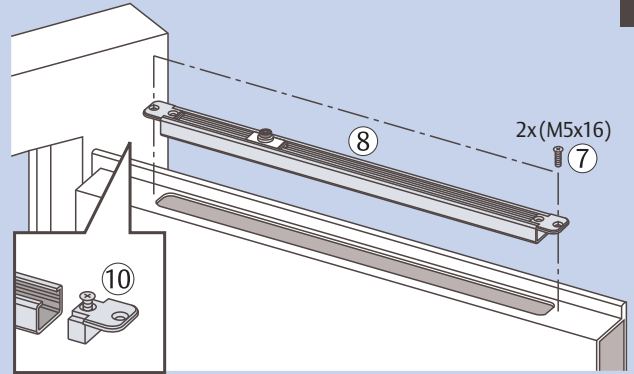


PUERTAS METÁLICAS / METAL DOORS

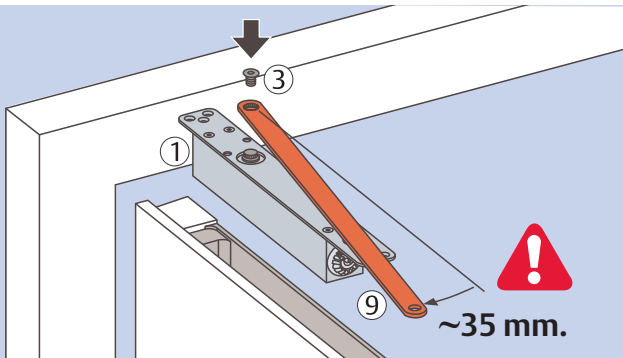
1A



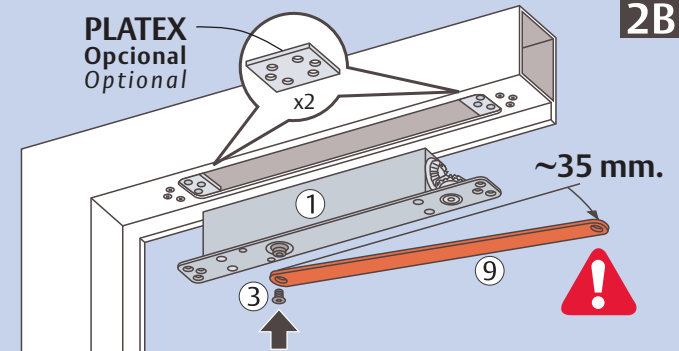
1B



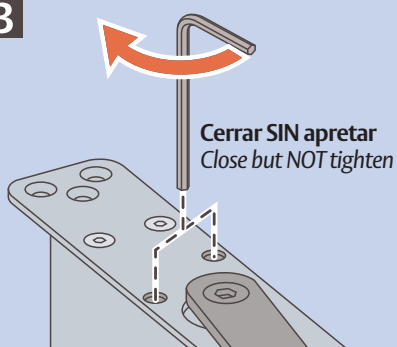
2A



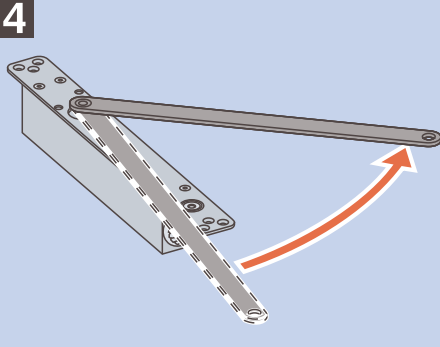
2B



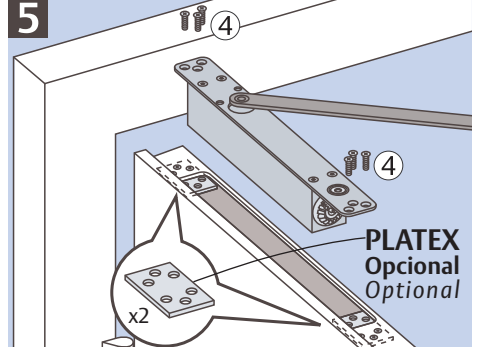
3



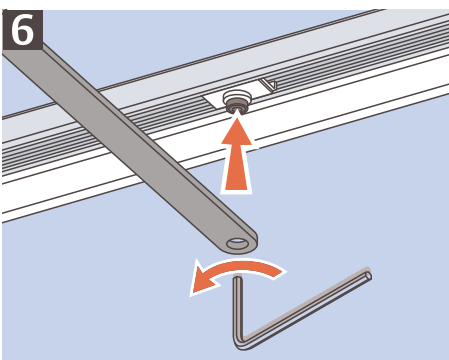
4



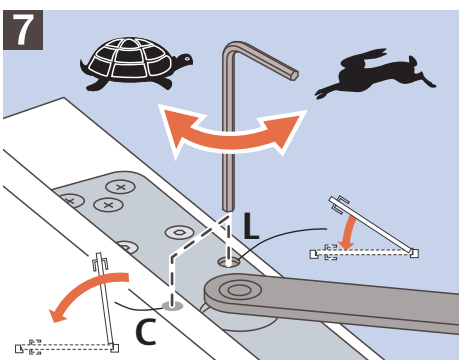
5



6



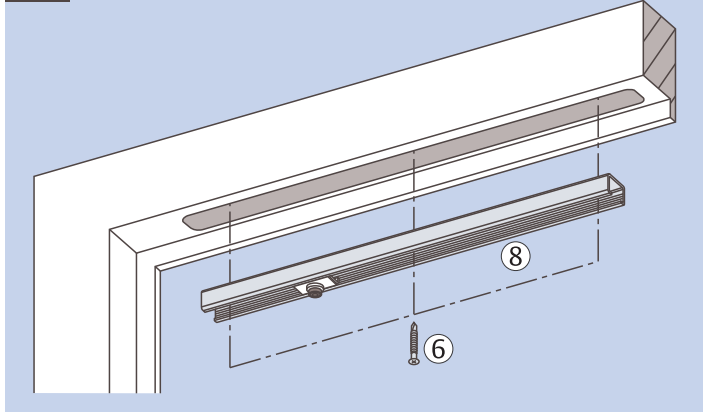
7



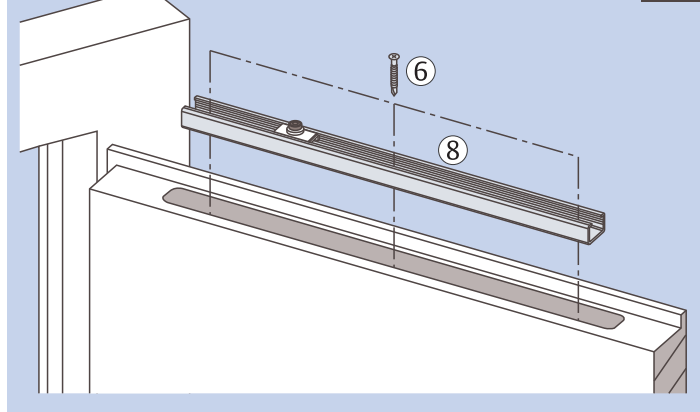
8



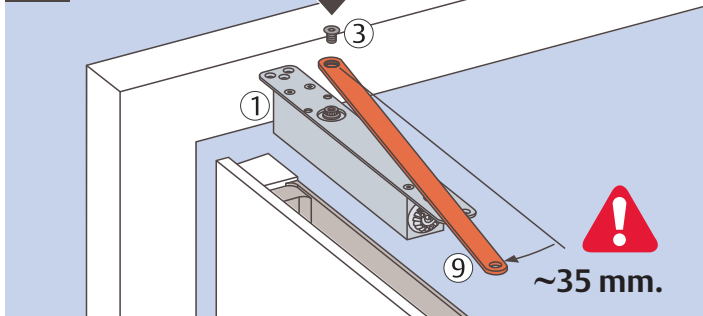
1A



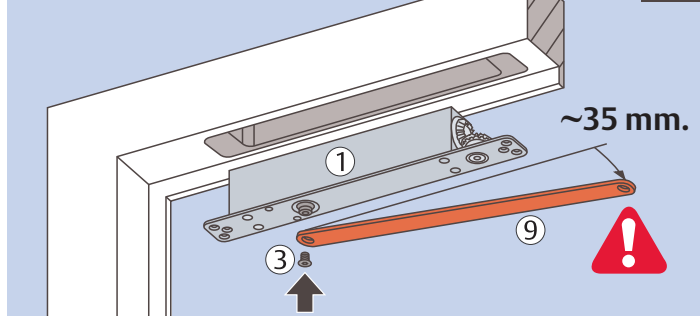
1B



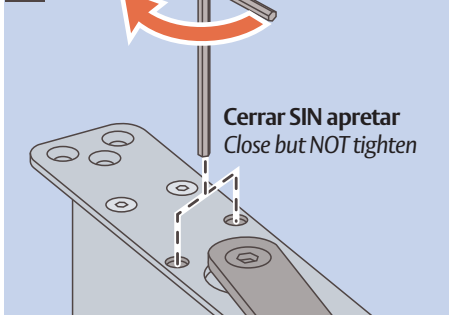
2A



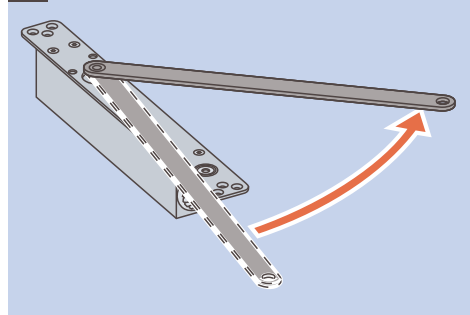
2B



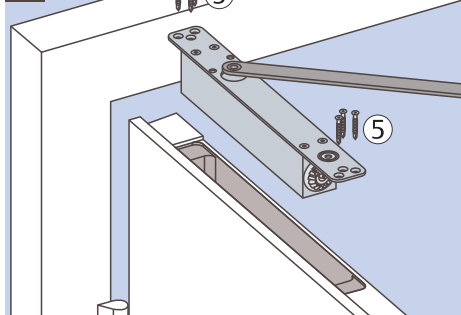
3



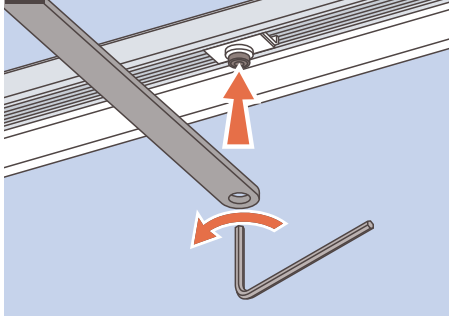
4



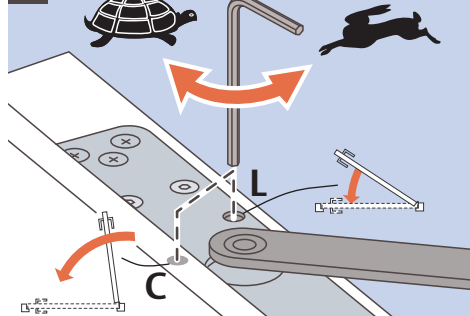
5



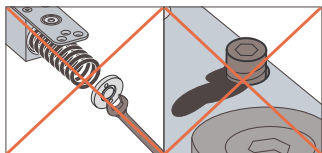
6



7



8



TEX26PL + GDXS/GDXS12:

CE	Abloy Oy	09
	PO Box 108 80101 Joensuu, Finland	
0432-CPD-0047	EN 1154:1996+A1:2002	3 8 5 1 1 2

TEX14PL + GDXS/GDXS12:

CE	Abloy Oy	09
	PO Box 108 80101 Joensuu, Finland	
0432-CPD-0047	EN 1154:1996+A1:2002	3 8 4 1 1 3

SISTEMA TEX26-TEX14 SYSTEM

	GDXS:	Estándar / Standard
	GDXS12:	Sección 20x12 mm. Cross section
	GDSEM:	Retención EM Hold Open
	GD2XSC:	Selector Cierre SC Closing Selection
	GD2XEM1:	SC + 1x EM
	GD2XEM2:	SC + 2x EM